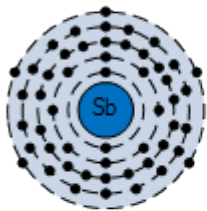
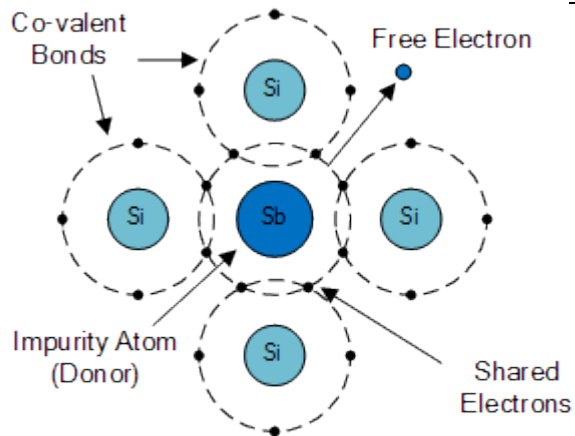


## DOPING SILICON

An Antimony Atom,  
Atomic number = "51"

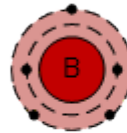


Antimony atom showing 5 electrons in its outer valence shell (o).

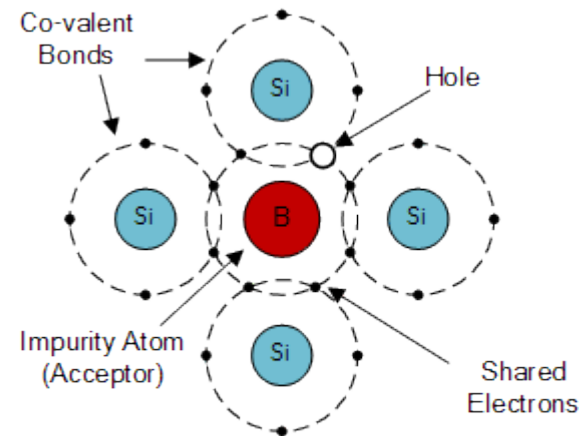


N-Type Semiconductor

A Boron Atom,  
Atomic number = "5"

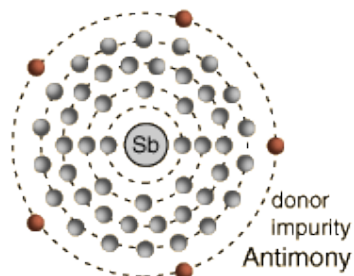


Boron atom showing 3 electrons in its outer valence shell (L).



P-Type Semiconductor

Antimony  
Arsenic  
Phosphorous



Boron  
Aluminum  
Gallium

